



Easy-action
Door Closer

DORMA TS 83



The multi-function, multi-purpose door closer

Outstanding versatility. Quality assured. Tested to EN 1154.

Decades of experience have gone into the development of the DORMA TS 83. The result is user comfort coupled with outstanding versatility. It can be adjusted to suit almost all types of door. Additional anti-corrosion protection for exposed or aggressive conditions is available to special order.

Fixing couldn't be easier and last but not least – it's engineered for excellence.



Quality-assured manufacture to ISO 9001, EN 29001, BS 5750. Certified and verified by BSI Quality Assurance Reg. No. Q 6423, FM 10756

Plus points ...

... for the trade

- Streamlined product range means low inventory costs and reduced stocking requirement.
- Comprehensive choice of accessories provides practical and effective solutions to meet special applications.

... for the specifier/architect

- Compact closer design and sturdy flat-form arm assembly.
- Wide range of standard functions supplemented by optional extras.
- Suitable for fire doors. (CERTIFIRE approved ITT Ref. CF 118)

... for the installer

- Easy to fix.
- Can be "tailored" to the requirements of the door by simple adjustment.
- Just one model for RH (ISO 5) and LH (ISO 6) doors and for standard and frame/lintel fixing and parallel arm.
- Spring strength range EN 2-6 to suit virtually every application.

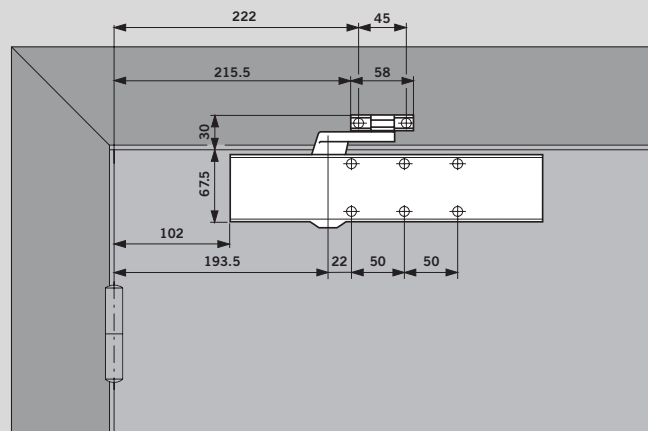
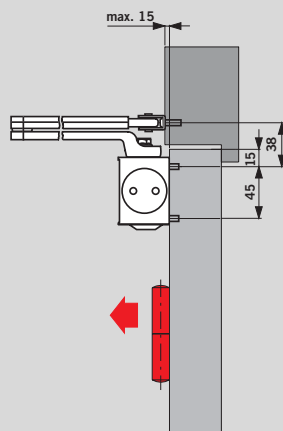
... for the user

- Optimum wall and door protection thanks to "thinking" backcheck.
- Closing speed virtually unaffected by temperature fluctuations.
- High mechanical efficiency gives easy-action opening.

Applications and fixing ...

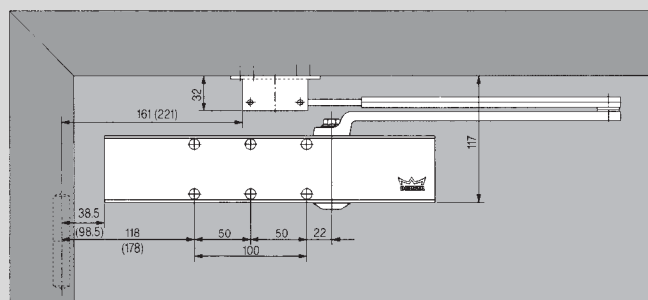
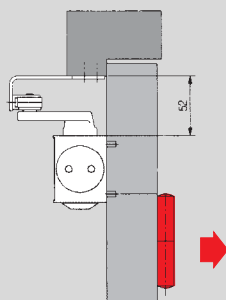
... on the pull side

Door leaf fixing (standard installation)



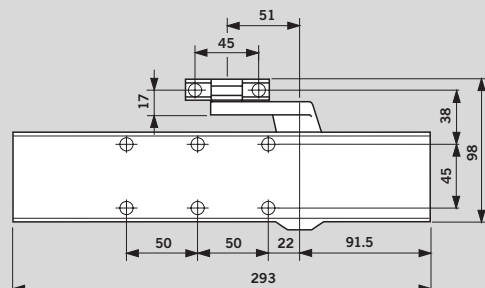
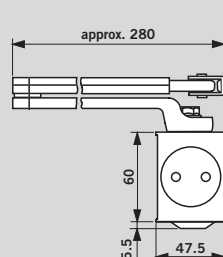
... on the push side


Door leaf fixing (parallel arm installation) With parallel arm application, the backcheck comes in later at between 85° and 90°, depending on the door thickness and projection of the hinge used; the delayed action, on the other hand, releases the door at an earlier point in its closing sweep.



Examples

Installation for the opposite hand is a mirror image of the above illustrations.



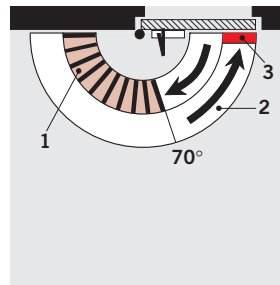
 The TS 83 conforms to most recognised international standards and complies with the requirements and/or recommendations of the following: CERTIFIRE approved for fire doors ITT; Ref. CF 118 Closer weight: 3.3 kg

Standard functions

With “thinking” backcheck –
Thanks to an innovative design concept, the resistance developed by this backcheck system is directly proportional to door acceleration as the door is opened beyond approx. 70°. It is almost imperceptible when the door is opened slowly. However, if the door is opened roughly, the backcheck responds in equal measure.

And if the door should be flung open at speed – whether deliberately, thoughtlessly, accidentally or as a result of a gust of wind – the backcheck reacts at full strength, protecting the wall and door from damage.

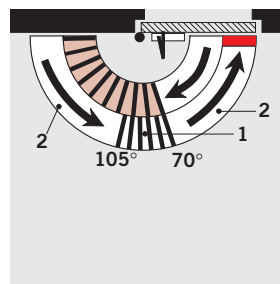
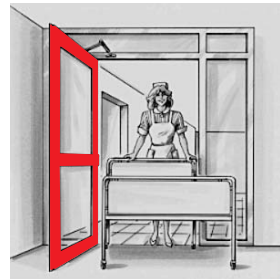
If no backcheck function is required, the system can simply be switched off.



- 1 Self-adjusting backcheck
- 2 Fully controlled closing with adjustable speed
- 3 Adjustable latch range

And with delayed action –
The integrated delayed action enables the closing cycle to be retarded within an adjustable range so that

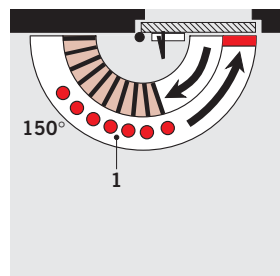
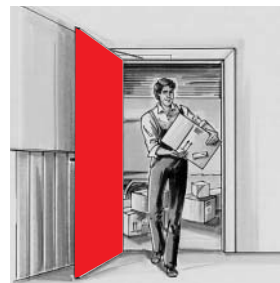
disabled persons, mothers with prams and people carrying bulky items are able to pass through the door without difficulty.



- 1 Adjustable delayed action
- 2 Fully controlled closing with adjustable speed

With optional hold-open arm –
Combining the TS 83 with a hold-open arm enables the door to be held open at an appropriate angle (up to

approx. 150°). The hold-open function of the standard hold-open arm can be switched on and off by the user by simply pressing a pushbutton.



- 1 Hold-open range

Hold-open arms are not approved for fire doors.



CERTIFICATE OF APPROVAL

No CF 118

This is to certify that, in accordance with
CERTIFIRE's Rules for Certification
The undermentioned products of

DORMA UK LIMITED

Wilbury Way, Hitchin, Hertfordshire, SG4 0AB
Tel: 01462 477600 Fax: 01462 477601

Have been assessed against the requirements of the Technical Schedule(s)
denoted below and are approved for use subject to the conditions
appended hereto:

CERTIFIED PRODUCTS

Dorma TS 83 Overhead
Mounted Door Closer

TECHNICAL SCHEDULE

TS34 The Contribution of
Controlled Door Closing Devices
and Accessories to Fire
Resisting Doorsets

Signed and sealed for and on behalf of CERTIFIRE

Sir Ken Knight
Chairman - Management Council

Issued: 3rd February 1992
Reissued: 19th February 2007
Valid to: 18th February 2012

Page 1 of 4



Only valid when authentic
Seal is in place
CERTIFIRE



CERTIFICATE No CF 118
DORMA UK LIMITED

DORMA TS83 OVERHEAD MOUNTED DOOR CLOSER

1. Dorma TS 83 is an overhead mounted door closing device with adjustable power and integral backcheck and delayed action functions.
2. This certification is designed to demonstrate compliance of the product or system specifically with Approved Document B (England and Wales), Section D of the Technical Standards (Scotland) and Technical Booklet E (N. Ireland). If compliance is required to other regulatory or guidance documents there may be additional considerations or conflict to be taken into account.
3. This approval relates to its use with the following door assemblies:-

Latched and unlatched, intumescent sealed door assemblies consisting of timber faced and edged leaves with timber, cellulosic or mineral cores in timber frames having a fire resistance up to 120 minutes (Code ITT).

Latched and unlatched, intumescent sealed door assemblies consisting of metallic faced and edged leaves with cellulosic or mineral cores in steel frames having a fire resistance up to 240 minutes (Code IMM).
4. The closers are approved on the basis of:
 - i) Initial type testing to EN1154 and BS EN 1634-1: 2000
 - iii) An appraisal against TS34
 - iii) Certification of quality management system to ISO 9001: 2000.
 - iv) Inspection and surveillance of factory production control
 - v) Ongoing audit testing in accordance with EN 1154 requirements
5. This approval is applicable only to the specified closers used with door assemblies of proven fire resistance (as defined in BS EN 1634-1:2000 or BS476: Part 22: 1987) and having power ratings appropriate to the leaf sizes subject to a minimum size 3 (as specified in BS EN 1154).
6. The approval relates to on going production. Product and/or its immediate packaging is identified with the manufacturers' name, the product name or number, the CERTIFIRE name or name and mark, together with the CERTIFIRE certificate number and application where appropriate.
7. The following tables show acceptable doorsets types and fire resistance periods:



CERTIFICATE No CF 118
DORMA UK LIMITED

DORMA TS83 OVERHEAD MOUNTED DOOR CLOSER

For doorsets to BS 476: Part 22: 1987

Fire resistance performance as	MM	IMM	TT	ITT	ITM	ITC
FD20	✓	✓	✗	✓	✗	✗
FD30	✓	✓	✗	✓	✗	✗
FD60	✓	✓	✗	✓	✗	✗
FD90	✓	✓	✗	✓	✗	✗
FD120	✓	✓	✗	✓	✗	✗
FD240	✓	✓	✗	✗	✗	✗

For doorsets to EN 1634-1

Classification to EN13501-2	MM	IMM	TT	ITT	ITM	ITC
E 20	✓	✓	✗	✓	✗	✗
EI 20	✓	✓	✗	✓	✗	✗
E 30	✓	✓	✗	✓	✗	✗
EI 30	✓	✓	✗	✓	✗	✗
E60	✓	✓	✗	✓	✗	✗
EI 60	✓	✓	✗	✓	✗	✗
E 90	✓	✓	✗	✓	✗	✗
EI 90	✓	✓	✗	✓	✗	✗
E 120	✓	✓	✗	✓	✗	✗
EI120	✓	✓	✗	✓	✗	✗
E240	✓	✓	✗	✗	✗	✗
EI240	✓	✓	✗	✗	✗	✗

See CERTIFIRE Technical Schedules for designation of doorset types i.e. IMM etc.

Scope of Approval:

Doors may not include uninsulated glass above 20% of their total area.
The closers may not be fitted to timber doorsets without leaf/frame edge intumescent protection.



CERTIFICATE No CF 118
DORMA UK LIMITED

DORMA TS83 OVERHEAD MOUNTED DOOR CLOSER

Classification code

The above approval provides the following classification:

TS83 EN7

4	8	7	1	1	4
---	---	---	---	---	---

TS83 EN3-6

4	8	6 3	1	1	4
---	---	--------	---	---	---

TS83 EN2-6

4	8	6 3	1	1	4
---	---	--------	---	---	---

Further Information

Further information regarding the details contained in this data sheet may be obtained from Dorma UK Limited (Tel: 01462 477600).

Further information regarding CERTIFIRE certification and other approved products can be obtained from CERTIFIRE (Tel: 01925 646777).

A handwritten signature in black ink, appearing to be "S. J. ...", located at the bottom center of the page.